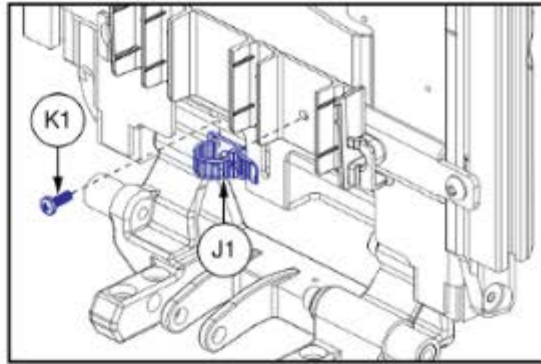


Back Pan
Mounting Hardware



Push the
release lever
down to adjust
the back
angle.

